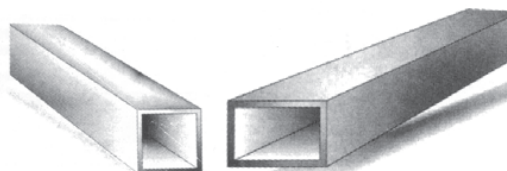




Perfiles Viaducto Tlalpan

# Perfil *PTR Estructural*

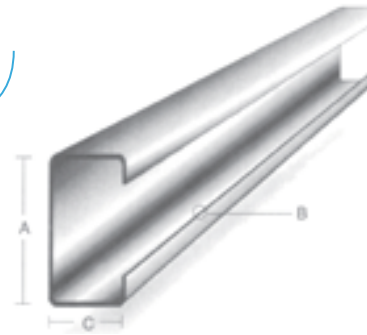


DIMENSIONES EXTERIORES	ESPESOR			COLOR IDENTIFICACION	PESO KG / M	PESO POR PIEZA KG. 6 M.
	PULGADA MM.	CAL.	PULG. M.M.			
3/4 x 3/4 19 x 19	14	0.0747	1.89	AZUL	1.02	6.22
1 x 1 25 x 25	14	0.0747	1.89	AZUL	1.44	8.65
	12	0.1046	2.66	VERDE	1.87	11.22
	10	0.1345	3.42	ROJO	2.27	13.62
1 1/4 x 1 1/4 32 x 32	14	0.0750	1.89	AZUL	1.90	11.40
	12	0.0750	1.90	BLANCO	2.58	15.48
	10	0.0900	2.30	ROJO	2.83	16.98
1 1/2 x 1 1/2 38 x 38	14	0.0747	1.89	AZUL	2.18	13.10
	12	0.1046	2.66	BLANCO	2.96	17.76
	11	0.1196	3.04	VERDE	3.33	19.98
	9	0.1496	3.08	ROJO	4.02	24.12
2 x 2 51 x 51	14	0.0747	1.89	AZUL	2.95	17.70
	12	0.1046	2.80	BLANCO	4.17	24.60
	11	0.1196	3.04	VERDE	4.55	27.30
	9	0.1496	3.08	ROJO	5.56	33.36
2 1/2 x 2 1/2 64 x 64	14	0.0747	1.89	AZUL	3.69	22.19
	11	0.1196	3.04	BLANCO	5.82	34.92
	9	0.1495	3.80	VERDE	7.13	42.78
	7	0.1793	4.55	ROJO	8.37	50.22
3 x 3 76 x 76	14	0.0747	1.89	AZUL	4.59	27.59
	11	0.1196	3.04	BLANCO	7.09	42.54
	9	0.1495	3.50	VERDE	8.72	52.32
	7	0.1793	4.55	ROJO	10.28	61.68
3 1/2 x 3 1/2 89 x 89	14	0.0747	1.89	AZUL	5.27	31.65
	11	0.1169	3.04	BLANCO	8.34	50.04
	9	0.1495	3.80	VERDE	10.28	61.68
	7	0.1793	4.55	ROJO	12.16	72.96
3 x 2 76 x 51	14	0.0747	1.89	AZUL	3.69	22.14
	11	0.1196	3.04	BLANCO	5.82	34.92
	9	0.1495	3.80	VERDE	7.12	42.78
	7	0.1793	4.55	ROJO	8.37	50.22
4 x 2 102 x 51	14	0.0747	1.89	AZUL	3.69	22.14
	11	0.1196	3.04	BLANCO	7.09	42.54
	9	0.1495	3.80	VERDE	8.72	52.32
	7	0.1793	4.55	ROJO	10.28	61.68
4 x 3 102 x 76	14	0.075	1.89	AZUL	5.27	31.65
	11	0.1196	3.04	BLANCO	8.34	50.04
	9	0.1495	3.80	VERDE	10.28	61.68
	7	0.1793	4.55	ROJO	12.16	72.98
4 x 4 102 x 102	14	0.0747	1.89	AZUL	6.03	36.20
	11	0.120	3.00	BLANCO	9.60	57.60
	9	0.135	4.00	VERDE	12.03	72.18
	7	0.150	4.50	ROJO	14.30	85.80

# Polín Estructural Mon-ten



Perfiles Viaducto Tlalpan



NOMENCLATURA		LARGO DE TRAMO MTS.	KILOS X METRO	KILOS X TRAMO	PATIN
PERALTE Pulg.	CALIBRE				
A	B				C
3	MT 12	6.00	3.60	21.60	1 1/2"
3	MT 14	6.00	2.50	15.00	1 1/2"
4	MT 10	6.00	6.00	36.00	2"
4	MT 12	6.00	4.73	28.73	2"
4	MT 14	4.00	3.44	13.76	2"
4	MT 14	6.00	3.44	20.64	2"
4	MT 14	8.00	3.44	27.52	2"
5	MT 10	6.00	6.70	40.20	2"
5	MT 12	6.00	5.27	31.62	2"
5	MT 14	5.00	3.82	19.10	2"
5	MT 14	6.00	3.82	22.92	2"
6	MT 10	6.00	7.38	44.28	2"
6	MT 10	6.00	7.80	47.00	2" 1/2
6	MT 12	6.00	5.82	34.92	2"
6	MT 12	6.00	6.00	36.00	2" 1/2
6	MT 14	6.00	4.21	25.26	2"
6	MT 14	6.00	4.50	27.00	2" 1/2
7	MT 10	7.00	9.12	63.84	2" 3/4
7	MT 12	7.00	7.17	50.19	2" 3/4
7	MT 14	7.00	5.18	36.26	2" 3/4
8	MT 10	8.00	9.90	79.20	2" 3/4
8	MT 12	8.00	7.80	62.50	2" 3/4
8	MT 14	8.00	5.60	44.80	2" 3/4
10	MT 10	10.00	11.22	112.00	2" 3/4
10	MT 12	10.00	8.80	88.00	2" 3/4
10	MT 14	10.00	6.34	63.40	2" 3/4
12	MT 10	12.00	14.40	172.80	3" 1/2
12	MT 12	12.00	11.10	133.20	3" 1/2
12	MT 14	12.00	8.00	96.00	3" 1/2

Av. Viaducto Tlalpan No. 425,  
Col. San Lorenzo Huipulco,  
Tlalpan, México, D.F., C.P. 14370  
Tels. 5573-3026 / 5573-2917  
5573-2979 / 5573 2879  
5573-2993 / 1315 0095  
5513-8569 / 5513-8574



[www.viaductotalpan.com.mx](http://www.viaductotalpan.com.mx)